

**Product Door Motor**  
**Part No. 056910M**



**Speed**

High: 220V, 3 ph, 60 Hz 900 rpm  
Low: 195V, 3 ph, 50 Hz 450 rpm

**Locked Rotor Amps**

High: 1.6 amps  
Low: 0.8 amps

**Locked Rotor Torque**

High: 20 in-lbs (high)  
Low: 12 in-lbs (low)

**Time Rating:** 5 min  
**Duty:** Int - 14%  
**Insulation:** Class H, 40°C amb  
**Enclosure Type:** 4X

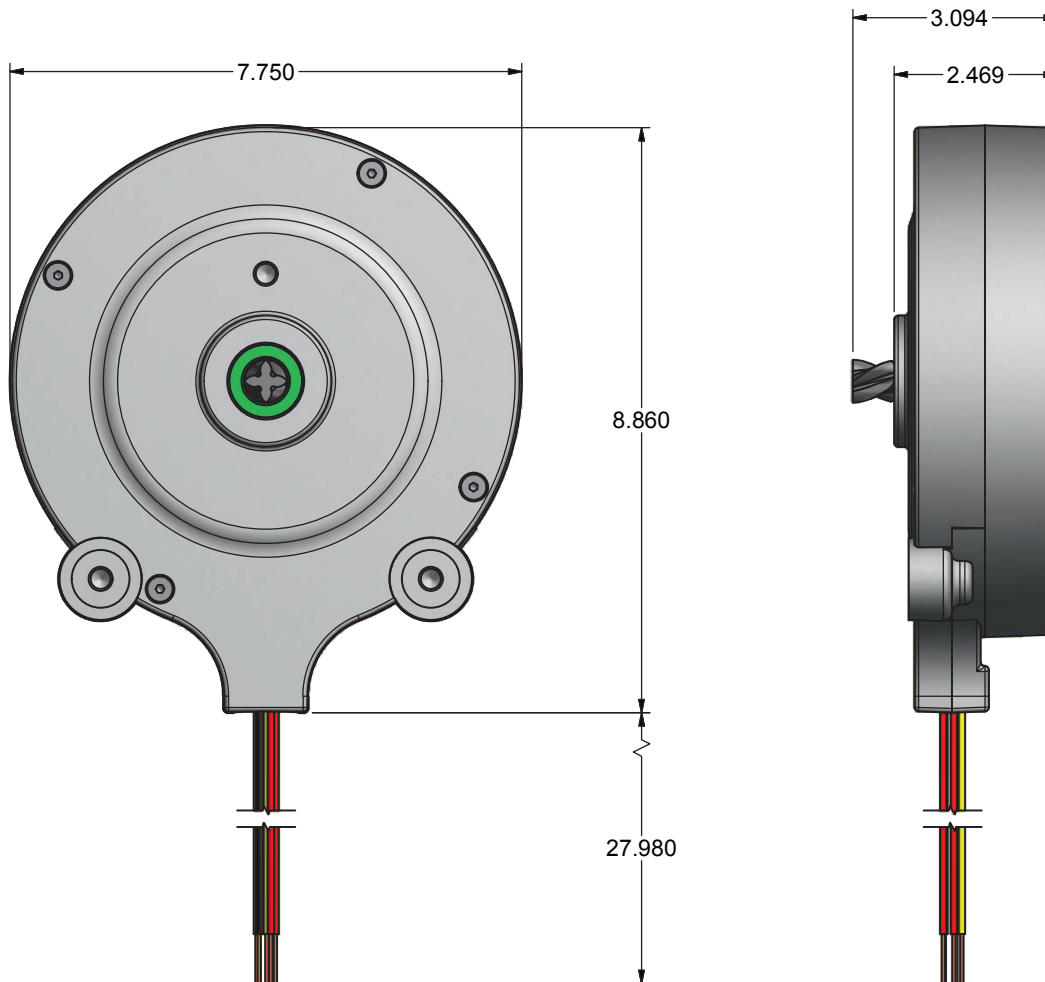
**CERTIFICATION**

CSA B44.1 / ASME A17.5



**Each motor comes with mounting hardware and installation instructions.**

*Dimensions are in inches (in)*





# Certificate of Compliance

Certificate Number: LR 11780-44

Revision:

Date Issued: April 27, 1995

Issued To: Peelle Co., (The)  
50 Inez Pathway  
Bay Shore, NY 11706  
USA

*The products listed below are eligible to bear the CSA Mark.*

*NOTE: "CSA B44.1/ASME-A17.5" and "NRLT/C indicators appear adjacent to the CSA Mark.*

Issued By: G. Cerbu, P. Eng.  
Toronto, ON Canada

Signature

**CLASS** 2411 02 - ELEVATOR EQUIPMENT - Enclosed Elevator Electrical Equipment  
2411 82 - ELEVATOR EQUIPMENT - Enclosed Elevator Electrical Equipment

## PRODUCTS

- Motorized equipment (door operators assemblies) with dynamic dual drive sheave motors:

### Ratings

Cat No	900 RPM/450 RPM
0569M operator/ 056910M motor,	1.75A/1.1A, 220V ac, 3ph, 60Hz 1.75A/1.1A
0560M operator/ 056921M motor	1A/0.63A 1A/0.63A

Encl. Type 4X

Note: The motors are intended for intermittent duty.





## Certificate of Compliance

Certificate Number: LR 11780-44

Revision:

Date Issued: April 27, 1995

---

### APPLICABLE REQUIREMENTS

CAN/CSA-B44.1-M91/ ASME-A17.5-1991		- Elevator and Escalator Electrical Equipment
CAN/CSA-C22.2 No.	94-M91	- Special Purpose Enclosures
UL Std No. (Edition 10)	50	- Enclosures for Electrical Equipment
CAN/CSA-C22.2 No.	100-95	- Motors and Generators